



30" RANGE

Parts List

MODEL:
DCS-RG-304

PRODUCT CODE:
217815

PRODUCT

Brand DCS
Voltage 110V 60Hz
Model DCS-RG-304
Product Code 217815

Fisher & Paykel Appliances
5900 Skylab Road, Huntington Beach,
CA 92647
Customer Care: (888) 281-5698
Fax: (714) 372-7003
www.dcsappliances.com
support@dcsappliances.com

COPYRIGHT® FISHER & PAYKEL LTD 2006 - ALL RIGHTS RESERVED

CONTENTS

BODY COMPONENTS.....	6
BACK GUARD COMPONENTS	8
TOP BURNER COMPONENTS	10
OVEN/BROILER COMPONENTS	12

GUIDE TO USING THIS MANUAL

The model covered by this manual is listed on the front cover.

The information detailed in this manual is subject to change without notice. The latest version is indicated by the reprint date and replaces any earlier editions.

The front cover picture shows the type of product and may not necessarily be an exact image of the model covered by the manual.

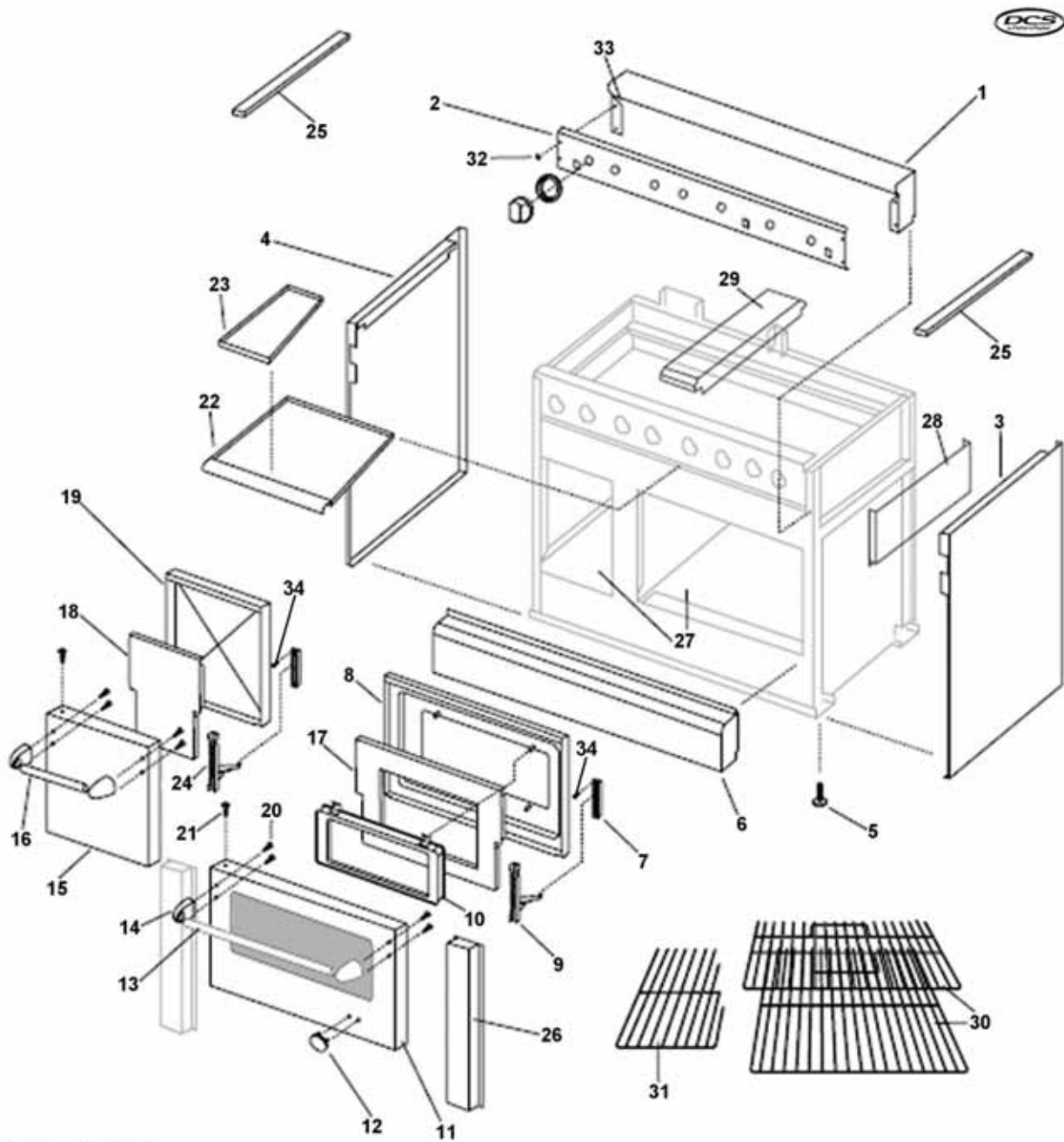
Kit Parts

Kit components are shown in *italics*. Where a part number is shown against the descriptions for these kit components, they are also available as separate items. In addition, some parts may be supplied with these kits that are not available as separate items, and are therefore either not listed, or a part number is not shown against the part description in this manual.

Parts List Key

<i>italics</i>	Kit components or parts included are shown in <i>italics</i> . Refer to above notes: Kit Parts.
NI	As a part reference, indicates the part is not illustrated on the diagram.
NOT USED	As a part number, indicates the diagram part reference is not used in this manual.

BODY COMPONENTS



DWG000641 20 JULY 2006

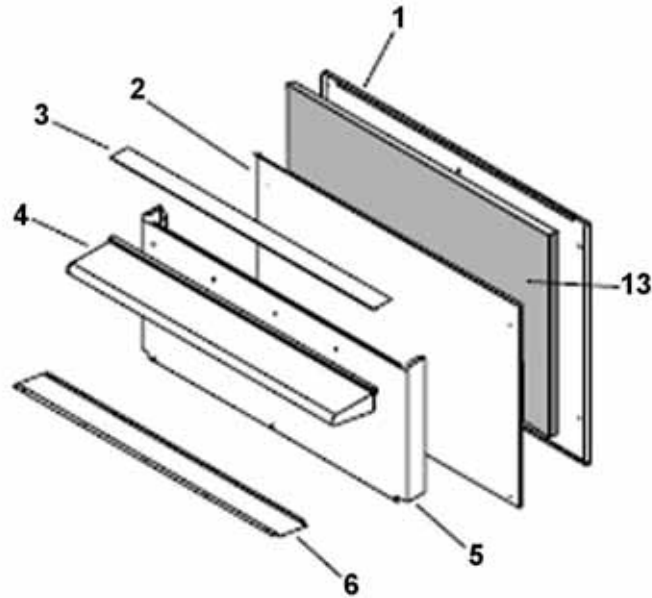
BODY COMPONENTS

REF	PART	DESCRIPTION
1	215721	LANDING LEDGE W/A 304
2	215701	VALVE PANEL RG304 PTD
3	215738	BODY PANEL R/H
4	215739	BODY PANEL L/H
5	212177	LEG LEVEL
6	215932	KICKPLATE W/A RG304
7	211346	RECEPTACLE NUOVA STAR
8	215887	DOOR LINER W/A RG304 PORC.
9	211344	30 DOOR HINGE NUOVA STAR
10	211022	GLASS PACK BLACK
11	215697	OUTSIDE D/R PANEL FINAL FORM
12	211880	OBS LOGO DCS LARGE (BLACK)
13	215857	DOOR HANDLE RG304
14	212245	END CAP DOOR HANDLE PLATED
15	NOT USED	ITEM NOT USED IN THIS MODEL
16	NOT USED	ITEM NOT USED IN THIS MODEL
17	215699	DOOR INSUL. RET. RG304
18	NOT USED	ITEM NOT USED IN THIS MODEL
19	NOT USED	ITEM NOT USED IN THIS MODEL
20	211253	MS 1/4-20X3/8 SL HX HD WH TY F
21	218131	SM 10X3/4 PH TRHD TY ABN (10 PK)
22	215947	DRIP PAN
	215902	DRIP PAN HANDLE W/A
23	NOT USED	ITEM NOT USED IN THIS MODEL
24	NOT USED	ITEM NOT USED IN THIS MODEL
25	NOT USED	ITEM NOT USED IN THIS MODEL
26	NOT USED	ITEM NOT USED IN THIS MODEL
27	216005	BTM LINER W/A PORC BLACK
28	NOT USED	ITEM NOT USED IN THIS MODEL
29	215791	SPACER GRATE SUPPORT
30	212448	OVEN RACK
	212449	OVEN RACK BROIL
31	NOT USED	ITEM NOT USED IN THIS MODEL
32	211300P	MS 8-32X1 TORX FLT SS (PKT 10)
33	211410P	NUT W/RET 8-32 (PKT 10)
34	211284	MS 10-32X5/8 PH RD HD ZH
NI	210987	GASKET DOOR 30

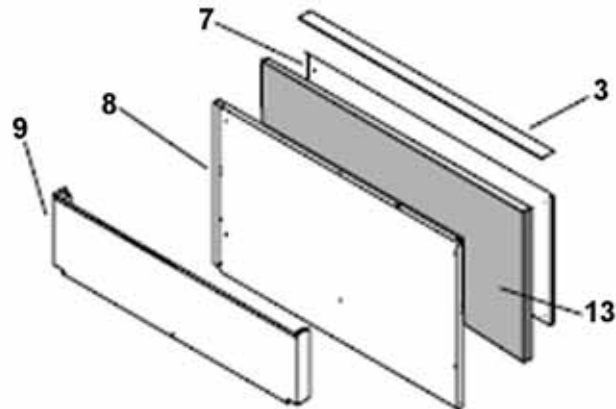
BACK GUARD COMPONENTS



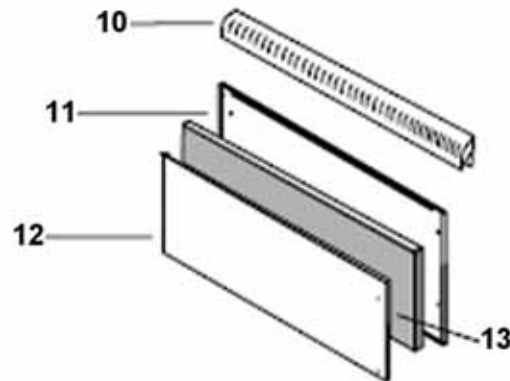
HIGH SHELF BACKGUARD



LOW BACK BACKGUARD



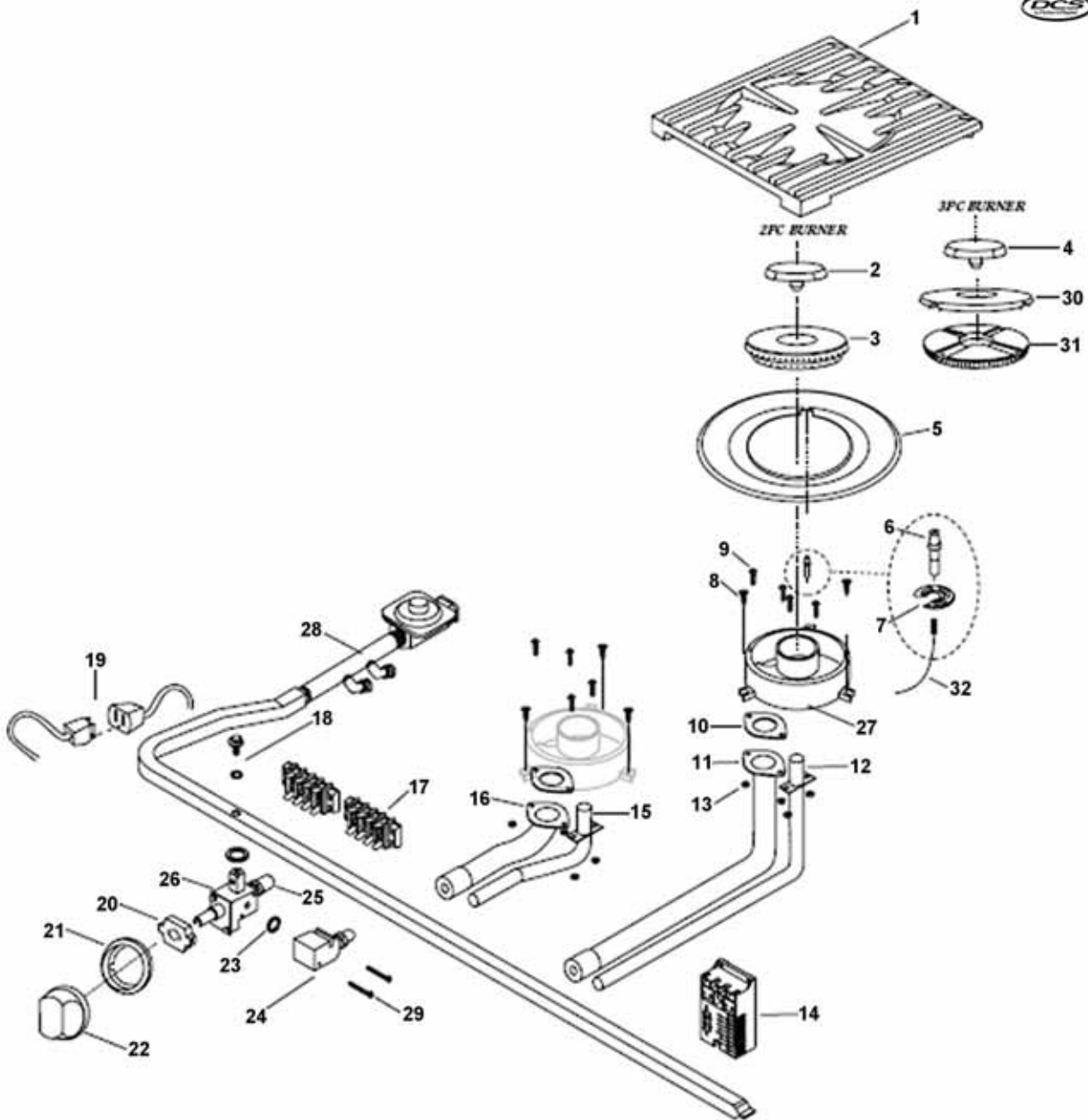
ISLAND TRIM BACKGUARD



BACK GUARD COMPONENTS

REF	PART	DESCRIPTION
1	215691	BACK SHEET H/S 30
2	215688	RETAINER INSUL. H/S 30
3	215641	TOP LB
4	215961	HIGH SHELF W/A 30
5	215683	FRONT H/S 30
6	215963	SHELF BTM ENCLO W/NUTSERT 30
7	215633	BACK SHEET LB 30R
8	215630	RETAINER INSUL LB 30R
9	215625	FRONT SHEET LOW BACK 30
10	215970	TOP WELD ASSY 30 ISLAND TRIM
11	215976	BACK SHEET 30 ISLAND TRIM
12	215981	INSUL RETAINER 30 ISLAND TRIM
13	NOT USED	ITEM NOT USED IN THIS MODEL

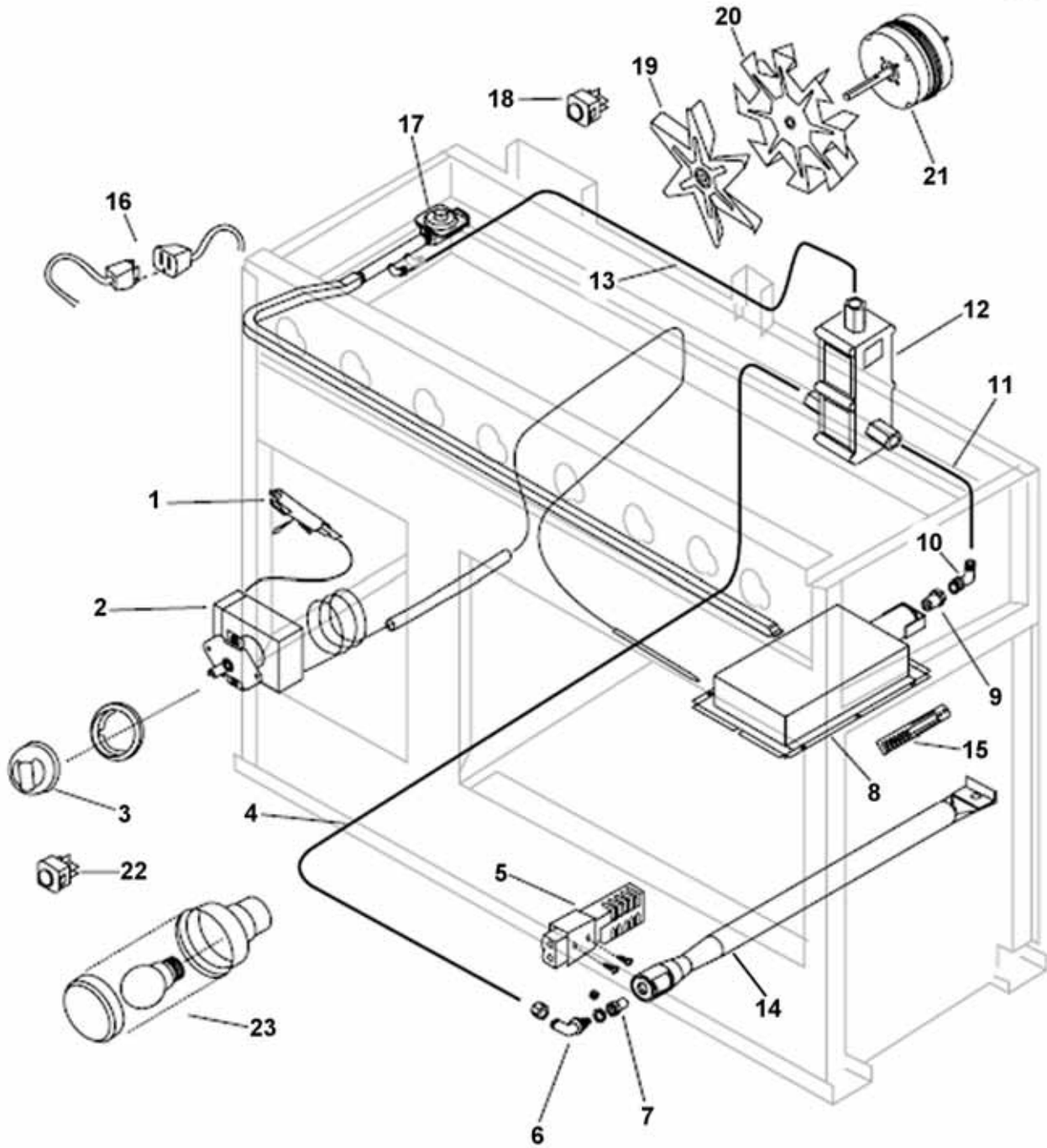
TOP BURNER COMPONENTS



TOP BURNER COMPONENTS

REF	PART	DESCRIPTION
1	210437	TOP GRATE HALF
NI	218137	MS 8-32X1PH TRUSS HD S/S (10 PK)
2	210458	CAP SIMMER TUBE PORC
3	210462	BURNER CAP PORC
4	210429	CAP SIMMER TUBE PORC
5	210430	AERATION BOWL PORC.
6	210390P	ELECTRODE PKD
7	217923	SPRING CLIP (10 PK)
8	218131	SM 10X3/4 PH TRHD TY ABN (10 PK)
9	211290P	MS 10-24X1/2 PH TRHD SS (10 PK)
10	210930	BURNER HEAD GASKET
11	210438	MAIN VENTURI REAR
12	215787	SIM VENTURI W/A REAR PLATED
13	218147	NUT HEX 10-24 SS (10 PK)
14	210828	SPARK MODULE RI 120-E4
15	215789	SIM VENTURI W/A FRONT PLATED
16	210439	MAIN VENTURI FRONT
17	211540	TERMINAL BLOCK
18	211454	SCREW (HARPER WYMAN VALVE&PLUG)
19	211592	POWER CORD ASSY
20	210801	SPARK IGNITION SW.
21	210935	BEZEL, CHROME PLATED
22	211011	KNOB SIMMER BURNER
23	211010	O RING SIMMER BLOCK
24	210800	SIMMER BLOCK
NI	210710P	ORIFICE #79 (PKD)
NI	210707P	ORIFICE #75 (PKD)
25	210694P	ORIFICE #58 #9701B1658 (PKD)
	218012	ORIFICE - ROTIS #51 NG (PKD)
26	210817	VALVE SIMMER
27	210461	BURNER BASE DIECAST
28	212252	OVEN FEED ADAPTER
29	211269	MS 4-40X1 PH RD HD ZN
30	210428	SIMMER BURNER CAP
31	210451	RING SIMMER BURNER
32	211632	WIRE HARNESS 4 OTB
NI	215763	BURNER HANGER
NI	215679	BRKT GRATE SUPPORT .75 WIDE
NI	215677	BRKT GRATE SUPPORT 1.5 WIDE

OVEN/BROILER COMPONENTS



DWG000642 20 JULY 2006

OVEN/BROILER COMPONENTS

REF	PART	DESCRIPTION
1	211571	PILOT LIGHTS
2	210779	THERMOSTAT OVEN BROIL
3	211015	KNOB THERMOSTAT BAKE/BROIL
4	216396	TUBING DV OVEN
5	211541	IGNITER - (SMALL)
6	212139P	ELBOW 3/8-27-9/16-24 (PKD)
7	210674	ORIFICE # 38
	210688P	ORIFICE #52 (PKD)
8	214645	I/R BURNER - ASSY.
9	210683P	ORIFICE #47 (PKD)
	210691P	ORIFICE #55 GRILL (PKD)
10	212139P	ELBOW 3/8-27-9/16-24 (PKD)
11	215648	TUBING DUAL VALVE TO I/R BURN
12	210782	DUAL THERMAL GAS VALVE
13	215649	TUBING MANIFOLD TO DUAL VALVE
14	210361	OVEN BURNER C.R.
15	211542	IGNITER I/R (LARGE)
16	211592	POWER CORD ASSY
17	210663	REGULATOR LP/NG
18	211625	LIGHT SWITCH
19	211631	BLADE.ASSY.RG CONVECTION FAN
20	211580	MOTOR COOLING BLADE
21	211750	CONVECTION MOTOR R/H
22	211625	LIGHT SWITCH
23	211576	LENS - LAMP
NI	214688	CLAMP IGNITOR W/A (BROIL)